

Printer Tour

This topic includes:

- "Printer Features" on page 1-2
- "Available Configurations" on page 1-2
- "Front View" on page 1-3
- "Rear View" on page 1-3
- "Printer Options and Upgrades" on page 1-4

Printer Features

The Phaser 4500 Laser Printer embodies many features to meet your printing needs:

- Great performance and superior print quality
 - 36 pages per minute (ppm) (Letter)
 - 34 ppm (A4)
 - Up to 256 MB of RAM
- Flexible paper handling
 - Standard 150-Sheet Tray
 - Standard 550-Sheet Tray
 - Two optional 550-Sheet Feeders
 - Optional 500-Sheet Stacker
 - Total paper capacity of 1800 sheets
 - Accommodates a wide range of media types
- Wide variety of productivity features
 - PhaserSMART online troubleshooting
 - CentreWare IS provides an embedded web server to help manage, configure, and troubleshoot the printer from your computer.
 - Usage Analysis Tool provides cost tracking that logs each job and the cost for each page.
 - PrintingScout provides on-screen notification and guidance if the printer needs help.

Available Configurations

The Phaser 4500 Laser Printer has four configurations:

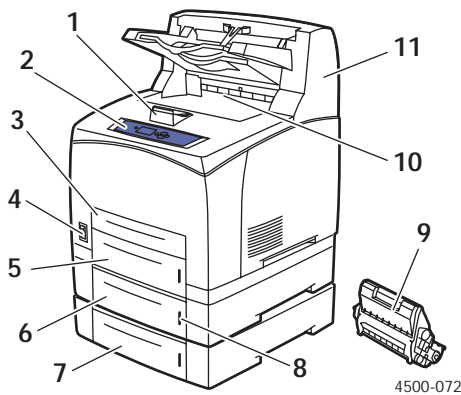
Configurations

Features	Printer Configuration			
	4500B	4500N	4500DT	4500DX
Maximum Print Speed (Pages Per Minute)	36	36	36	36
Hard Drive	Optional	Optional	Optional	Standard
PostScript and PCL Fonts	Standard	Standard	Standard	Standard

Configurations (Continued)

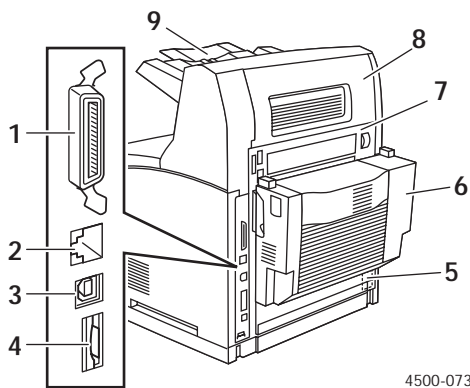
Features	Printer Configuration			
	4500B	4500N	4500DT	4500DX
550-Sheet Feeder	Optional	Optional	Standard	Standard
500-Sheet Stacker	Optional	Optional	Optional	Standard
Automatic 2-Sided Printing (Duplex)	Optional	Optional	Standard	Standard

Front View



1. Paper stop
2. Front panel
3. Tray 1
4. On/Off switch
5. Tray 2
6. Optional Tray 3
7. Optional Tray 4
8. Paper gauge
9. Print cartridge
10. Standard output tray
11. Optional 500-Sheet stacker

Rear View



1. Parallel cable connection
2. Ethernet 10/100 Base-T connection
3. USB connection
4. Configuration card
5. Power receptacle
6. Duplex unit
7. Rear cover
8. Stacker rear cover
9. Stacker extension

Printer Options and Upgrades

Options and upgrades are available for the Phaser 4500 Laser Printer.

Note

Print a “Configuration Page” after installing an option to confirm that the option has been installed correctly.

Upgrades

- Phaser 4500B to 4500N

Options

- 64 MB memory card, 128 MB memory card
- Up to two 550-Sheet feeders
- 500-Sheet stacker
- Internal hard drive with additional PostScript fonts
- 16 MB Flash memory
- Duplex unit
- 550-Sheet tray
- Upgrade kit

For more information on printer options and upgrades, go to www.xerox.com/office/4500supplies.

Resources

You can obtain information regarding your printer and its capabilities from the following sources:

Information	Source
Setup Guide	Packaged with printer
Quick Reference Guide	Packaged with printer
Warranty	Packaged with printer
Reference Guide	Packaged with printer (User Documentation CD-ROM)
Printer Management Tools	www.xerox.com/office
infoSMART Knowledge Base	www.xerox.com/office/infoSMART
PhaserSMART	www.phaserSMART.com
Technical Support	www.xerox.com/office/4500support
Information Pages	<ul style="list-style-type: none"> ■ Front panel ■ CentreWare IS ■ Printer Driver